

BASIC I.V. GRAVITY ADMINISTRATION SET WITH ONE INJECTION SITE

(10 Drops/ml) Universal spike, roller clamp, slide clamp, injection site, male luer lock adapter and level lock cannula. 72" length

- 567-B30146Each
- 567-B3014648/Case



BASIC I.V. GRAVITY ADMINISTRATION SET WITH TWO INJECTION SITES

(10 Drops/ml) Universal spike, roller clamp, slide clamp, two interlink injection sites and male luer lock adapter. 97" length

- 533-JC6425Each
- 533-JC642548/Case



I.V. EXTENSION SET WITH CONTROL-A-FLOW REGULATOR

Meant for use where infusion pumps are not required (Great for hypodermoclas). Rate flow regulator provides a higher level of accuracy than gravity infusion with a roller clamp and also minimizes the possibility of runaway infusions.

- 533-2C8891Each
- 533-2C889148/Case



I.V. SECONDARY MEDICATION SET

Secondary medication set, male luer lock adapter. For use with CLEARLINK System. Hanger for primary solution container is provided. Approximate length 37" (93 cm), Approximately 10 drops/mL. Contains DEHP, Fluid path is sterile, nonpyrogenic.

- 533-2C7461Each
- 533-2C746148/Case



Baxter I.V. PUMP

Improved smart battery management, messaging, additional alerts and alarms message screens help ensure clear, critical information is available when you need it. Large, color screen allows the review of medication data at a glance. Automatic-tube-loading mechanism prevents unintentional free flow. One set, one low cost regardless of whether using pumped or gravity infusion systems. Nursing time is saved by reducing the need to change sets, training requirements are reduced, and staff flexibility is improved across different clinical areas. Fewer sets are required – minimizes waste and creates cost savings, as well as reduces inventory requirements.

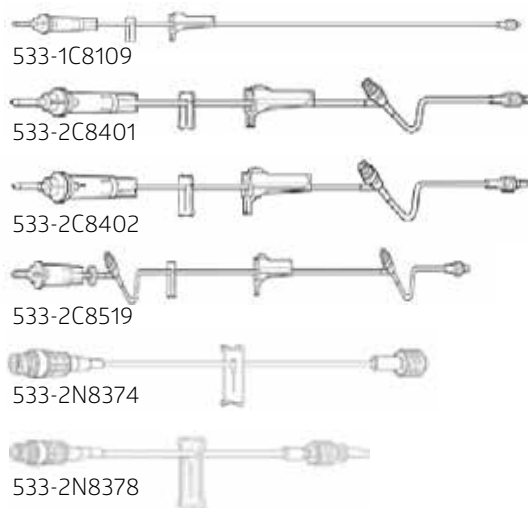


533-2M9161 Each

Baxter CLEARLINK NEEDLELESS I.V. ACCESS SYSTEM

The Clearlink system combines a clear housing with an easy-to-swab surface and a double seal design. The result is a robust system that virtually eliminates needlestick injuries during IV access.

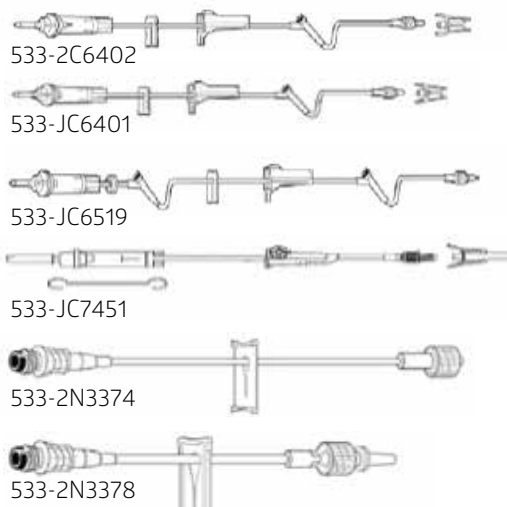
533-1C8109 Solution Set, Basic, 101", 10 drop. Cs/48
 533-2C8401 Solution Set, 1 Inj. Site, 76", 10 drop. Cs/48
 533-2C8402 Solution Set, 1 Inj. Site, 76" 60 drop. Cs/48
 533-2C8519 Continu-Flo Solution Set, 2 Inj. Site, 112", 10 drop... Cs/48
 533-JC7453 Secondary Medication Set, 37" Cs/48
 533-2N8374 Microbore Catheter Ext Set, 8" Cs/50
 533-2N8378 Standard Bore Catheter Ext Set, 6" Cs/50



Baxter INTERLINK NEEDLELESS I.V. ACCESS SYSTEM

Baxters Interlink system is a proven performer for reducing needlestick injuries during IC access. Interlink replaces steel needles with blunt plastic cannula and split septum access ports. The result is an easy-to-use, highly flexible, and comprehensive needleless system.

533-2C6402 Solution Set, 1 Inj. Site, 76", 60 drop. Cs/48
 533-JC6401 Solution Set, 1 Inj. Site, 72", 10 drop. Cs/48
 533-JC6519 Continu-Flo Set, 2 Inj. Site, 85", 10 drop Cs/48
 533-JC7451 Secondary Med Set Lever, 37", 10 drop. Cs/48
 533-2N3374 Microbore Catheter Ext Set, 8" Cs/200
 533-2N3378 Standard Bore Catheter Ext Set, 6" Cs/200



SAPPHIRE® IV PUMPS

Sapphire™ Multi-Therapy Infusion Pump is based on a unique, patented technology that delivers precise infusing at ± 2.5% accuracy. The Sapphire pump also features a touch screen that makes it easy to program, so that only relevant keystroke options are presented on-screen. The software-focused design enables software updates and upgrades via the internet, providing excellent opportunity for growth. Rugged, reliable construction makes the Sapphire pump a solid, sturdy performer. Human factors driven design, evolved to the latest health care standard provides on-screen prompts, making Sapphire infusion system easy for clinicians, easy for caregivers, easy for patients.

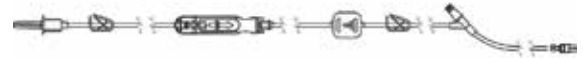


585-163110004 Sapphire® IV Pump. Each

SAPPHIRE® IV TUBING SETS

Sapphire™ Infusion Set — with non-vented piercing pin, 2 pinch clamps, cassette, 1.2 micron filter, Clave™ Y-site and spin male luer lock adapter

585-16324001 30/Case



Sapphire Non-Dehp Clave IV Pump Set Convertible Pin - with roller clamp, 0.2 micron milter, pinch clamp

585-16325001 30/Case



DELUXE I.V. POLE, 5 LEG

- Chrome plated steel pole provides strength and durability
- Composite 5 leg base and 5 swivel ball bearing casters
- Comes with 2 hooks
- Large 21" wide base

A41-13016-2 Each



CLEO® 90 SUB-Q INFUSION SET

The Cleo® 90 infusion set is a single-use disposable infusion set from Smiths Medical. Its unique all-in-one housing design includes an inserter needle and automatic needle retraction to reduce accidental needlesticks and make insertions convenient and quick.

820-21-7220-24	6mm Needle with 24" tubing	10/Box
820-21-7221-24	6mm Needle with 31" tubing	10/Box
820-21-7222-24	6mm Needle with 42" tubing	10/Box
820-21-7230-24	9mm Needle with 24" tubing	10/Box
820-21-7231-24	9mm Needle with 31" tubing	10/Box



SURFLASH® SAFETY I.V. CATHETERS

The ONLY line of safety IV catheters with a double- flash feature that verifies both needle and catheter placement

- Reduced risk of back vein wall puncture
- Clinically proven to increase first-stick success - Improved patient experience and satisfaction
- Cost savings/fewer wasted catheters
- Shown to reduce needlestick injuries by 50%–70% over non-passive safety
- Full needle coverage; not just the needle tip - Reduced risk of blood contact
- Minimize the risk of blood exposure between needle removal and IV attachment for a cleaner dressing site and IV hub area
- Reduces physical and visual exposure to blood



Here is how SurFlash® works:



Perform venipuncture at a low angle (15°) of insertion



The needle has been placed in the vessel as confirmed through the First Flash. The catheter, however, has not yet entered into the vessel. Continue advancing until you see the Second Flash along the entire length of the catheter.



The Second Flash between the catheter and the needle confirms proper catheter placement in the vessel. At this time you can advance the catheter forward off the needle into the vessel.



Because every stick counts.

280-SR*FVP1832	18g x 1-1/4"	50/Box
280-SR*FVP2025	20g x 1"	50/Box
280-SR*FVP2225	22g x 1"	50/Box
280-SR*FVP2232	22g x 1-1/4"	50/Box
280-SR*FVP2419	24g x 3/4"	50/Box

BD SAF-T-INTIMA FOR SUBCUTANEOUS INFUSION THERAPY



BD Saf-T-Intima contains an integrated safety mechanism to ensure health care worker safety during and after placement of the device. The integrated short extension is set to aid smooth insertion and reduce catheter movement during use. Its winged steel needle provides comfort, support, and stabilization.

308-383336 Y Adapter 20G x 1" 25/Box
308-383328 PRN 22G x 0.75" 25/Box
308-383318 PRN 24G x 0.75" 25/Box
308-383335 PRN 20G x 1" 25/Box
308-383329 Y Adapter 22G x 0.75" 25/Box
308-383319 Y Adapter 24G x 0.75" 25/Box

BD NEXIVA CLOSED IV CATHETER SYSTEM - DUAL PORT



The pre-assembled system creates a closed fluid path, which has been proven to significantly reduce blood exposure during insertion, minimizing the potential for contamination and exposure to bloodborne pathogens.

308-383530 24g x 0.56" Yellow 20/Box	308-383537 20g x 1.25" Pink 20/Box
308-383531 24g x 0.75" Yellow 20/Box	308-383538 20g x 1.75" Pink 20/Box
308-383532 22g x 1" Blue 20/Box	308-383539 18g x 1.25" Green 20/Box
308-383536 20g x 1" Pink 20/Box	308-383540 18g x 1.75" Green 20/Box

BD INSYTE AUTOGUARD SAFETY I.V. CATHETERS



BD Insyte™ Autoguard™ shielded IV catheters mean added safety for you. The patented BD Autoguard™ shielding technology is proven to effectively safeguard healthcare workers from accidental needlestick injuries. The unique BD notched needle in the 22 and 24 gauge sizes provides immediate confirmation of vessel entry along the safety IV catheter shaft. Made of BD Vialon™ biomaterial.

308-381467 14G x 1.75" 50/Box	With Wings		
308-381454 16G x 1.16" 50/Box	308-381544 18G x 1.16" 50/Box
308-381444 18G x 1.16" 50/Box	308-381533 20G x 1" 50/Box
308-381433 20G x 1" 50/Box	308-381534 20G x 1.16" 50/Box
308-381434 20G x 1.16" 50/Box	308-381523 22G x 1" 50/Box
308-381437 20G x 1.88" 50/Box	308-381512 24G x 0.75" 50/Box
308-381423 22G x 1" 50/Box			
308-381412 24G x 0.75" 50/Box			

BD ANGIOCATH AUTO-GUARD I.V. CATHETERS



BD Angiocath™ Autoguard™ shielded I.V. catheter has notched needle technology which provides rapid visualization of blood return along the catheter shaft. It is an excellent choice for fragile vessels or vessels that have lost venous tone. With the push of a button, the needle instantly retracts reducing the risk of accidental needle-stick injuries leaving the BD Vialon biomaterial in its place.

308-381700 24G x 0.75" 50/Box	308-381705 18G x 1.16" 50/Box
308-381701 22G x 1" 50/Box	308-381706 18G x 1.88" 50/Box
308-381702 20G x 1" 50/Box	308-381707 16G x 1.16" 50/Box
308-381703 20G x 1.16" 50/Box	308-381708 16G x 1.77" 50/Box
308-381704 20G x 1.88" 50/Box	308-381709 14G x 1.77" 50/Box

BD POSIFLUSH™ SYRINGE

BD PosiFlush™ Saline Syringes offer Positively ZERO Reflux*, which minimizes the potential for clotted catheters. BD PosiFlush Saline Syringes come with a traditional 10mL syringe diameter for optimal pressure distribution allowing the right amount of pressure to be delivered at all times. XS series has sterile pathway and outer syringe for O.R. applications, while SP series has sterile pathway for all other applications.



308-306570 Posi-Flush XS 3mL 30/Box
308-306572 Posi-Flush XS 10mL 30/Box
308-306573 Posi-Flush SP 3mL 30/Box
308-306574 Posi-Flush SP 5mL 30/Box
308-306575 Posi-Flush SP 10mL 30/Box

BD POSIFLUSH™ HEPARIN LOCK FLUSH SYRINGES

New BD PosiFlush Heparin Lock Flush Syringes have colour-coded labels for easy identification. They are available in two concentrations (10 USP units per mL and 100 USP units per mL) and come in a variety of sizes and fill volumes to complement your catheter maintenance practice.



308-306413 10 USP units/ml, 3mL fill in 3mL Syringe 30/Box
308-306414 10 USP units/ml, 5mL fill in 5mL Syringe 30/Box
308-306423 100 USP units/ml, 4mL fill in 3mL Syringe 30/Box
308-306424 100 USP units/ml, 5mL fill in 5mL Syringe 30/Box



BD Q-SYTE INTRAVENOUS NEEDLELESS CONNECTOR, LUER ACCESS

308-385100 Split-Septum 50/Box
308-385108 Split-Septum vial adapter 25/Box



BD PRN ADAPTERS

BD™ PRN adapter. BD Luer-Lok™ adapter with injection site

308-385111	... 3/4" Short 50/Box
308-385112	... 1-1/16" 50/Box

NORMAL SALINE 0.9% (SODIUM CHLORIDE) FOR INJECTION



No Preservative	
585-04888010	... 10mL vial ... 25/Case
585-4888020	... 20mL vial ... 25/Case
Bacteriostatic	
585-1966010	... 10mL vial ... 25/Case
585-1966020	... 20mL vial ... 25/Case
585-1966030	... 30mL vial ... 25/Case

STERILE WATER FOR INJECTION



Bacteriostatic	
585-3977030	... 30mL vial ... 25/Case
No Preservative	
585-04887010	... 10mL vial ... 25/Case
585-4887020	... 20mL vial ... 25/Case

IV PERIPHERAL INFUSION START-UP KIT

Kit contains the supplies required to initiate a peripheral start-up.

Qty	Description
1	Pre-filled Normal Saline 10 cc Syringe
1	Nexiva Dual Port Closed IV Catheter (24 G)
1	3M Tegaderm IV Dressing for Nexiva
1	3M SoluPrep 2% CHG, 70% Alcohol Swabsticks
1	Disposable tourniquet
1	3M Cavilon No Sting Barrier Film Wipe
2	Sterile Gauze 2 x 2
1	Clearlink Continu-Flo Solution Set, 2 inj sites
1	Control-a-Flo Regulator
204-IVKIT Each



CENTRAL LINE MAINTENANCE DRESSING KIT

Kit contains the supplies required to change the dressing and flush the lumens

Qty	Description
2	Pre-filled Normal Saline 10cc Syringe
2	Q-Syte Split Septum/Needleless connector
1	3M Tegaderm IV Advanced Dressing (8.5 cm x 11.5 cm)
2	3M SoluPrep 2% CHG, 70% Alcohol Swabsticks
2	Face Mask with earloops
1	Sterile Drape 18" x 26"
1	3M Cavilon No Sting Barrier Film Wipe
2	3M Measuring Guide Tape (disposable)
204-PICCKIT Each



SUBQ (HYPODERMOCLYSIS) START UP

Kit contains the supplies to initiate and maintain subcutaneous hypodermoclysis infusion

Qty	Description
1	BD Saf-T-Intima (24 g)
1	3M Tegaderm IV Dressing for Nexiva
1	3M SoluPrep 2% CHG, 70% Alcohol Swabsticks
1	3M Cavilon No Sting Barrier Film Wipe
1	Control-a-Flo Regulator
1	Clearlink Continu-Flo Solution Set, 2 inj sites
204-INFSKIT Each



SUBQ INSERTION KIT (MEDICATION)

Kit contains the supplies to initiate subcutaneous medication infusion

Qty	Description
1	BD Saf-T-Intima (24 g)
1	3M Tegaderm IV Dressing for Nexiva
1	3M SoluPrep 2% CHG, 70% Alcohol Swabsticks
1	3M Cavilon No Sting Barrier Film Wipe
204-ISCIKIT Each



3M SOLUPREP™ PREP PADS

Chlorhexidine gluconate (CHG) and 70% v/v isopropyl alcohol solutions on a prep pad or swab stick for application

355-S10102	0.5% CHG & Alcohol Pad	Box/200
355-S10106	2% CHG & Alcohol Pad	Box/200
355-S10202	0.5% CHG & Alcohol Swabstick	Box/50
355-S10203	2% CHG & Alcohol Swabstick	Box/50
355-S10207	2% CHG (no alcohol) Swabstick	Box/50



3M TEGADERM™ I.V. DRESSING FOR THE NEXIVA™ CATHETER

Designed for the BD Nexiva™ Closed Catheter System to improve stability and securement while decreasing the possibility of catheter dislodgment.

355-9525HP	6.5cm x 7cm	100/Box
------------	-------------	---------



3M TEGADERM™ I.V. ADVANCED SECUREMENT DRESSING

Visually transparent film and adhesive allows for precise dressing placement and continuous observation of the site. Also “easy to apply and remove. Designed to promote consistent application. Frame delivery makes placement accurate and easy.

355-1683	6.5cm x 7cm	100/Box
355-1685	8.5cm x 11.5cm	50/Box
355-1689	10cm x 15.5cm	25/Box



I.V. START KIT

Includes:

1ea - Tourniquet	1ea - 3M Tegaderm I.V.	
2ea - Gauze 2" x 2"	1ea - 3M tape 3/4" x 18"	
1ea - I.D. Label	1ea - PVP Prep Pad	
1pr - Nitrile Gloves	1ea - Alcohol Prep	
819-4704	I.V. Start Kit	Each



TOURNIQUET

1" x 18" Latex Free Tourniquet		
189-4408	Disposable	10/Pkg



STERILE DRAPE SHEETS

320-NON21001	18" x 26"	Box/50
--------------	-----------	--------



STERILE WATER, I.V. SOLUTIONS

414-L8502 250mL	Each
414-L8502 250mL	24/Case
414-L8501-01 500mL	Each
414-L8501-01 500mL	24/Case
414-L8500 1000mL	Each
414-L8500 1000mL	12/Case



5% DEXTROSE, I.V. SOLUTIONS

533-JB0062P 250mL	Each
533-JB0062P 250mL	30/Case
533-JB0063 500mL	Each
533-JB0063 500mL	24/Case
533-JB0064 1000mL	Each
533-JB0064 1000mL	12/Case



NORMAL SALINE (0.9% SODIUM CHLORIDE) I.V. SOLUTIONS

533-JB1322P 250mL	Each
533-JB1322P 250mL	30/Case
533-JB1323 500mL	Each
533-JB1323 500mL	24/Case
533-JB1324 1000mL	Each
533-JB1324 1000mL	12/Case



LACTATED RINGERS, I.V. SOLUTIONS

533-JB2322P 250mL	Each
533-JB2322P 250mL	30/Case
533-JB2323 500mL	Each
533-JB2323 500mL	24/Case
533-JB2324 1000mL	Each
533-JB2324 1000mL	12/Case



DEXTROSE 3.3% & 0.3% SALINE, I.V. SOLUTIONS

533-JB1033 500mL	Each
533-JB1033 500mL	24/Case
533-JB1034 1000mL	Each
533-JB1034 1000mL	12/Case



PREFILLED SALINE FLUSH SYRINGE 10ML

414-513576	Box/100
------------	-------	-------	---------

